



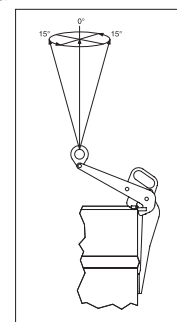
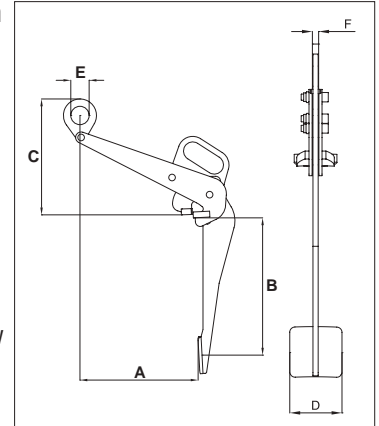
## LIFTING CLAMPS & MAGNETS

IPDV



**Designed to lift, move and transfer 50-55 gallon drums with steel tops**

- Available in capacity of .5 metric tons (higher Working Load Limits are available upon request).
- Jaw openings available: IPDV - 300mm and IPVK - 17mm.
- Welded alloy steel body for strength and smaller size. Forged alloy components, where required.
- Individually Proof Tested to 2 times the Working Load Limit with certification.
- Company name (Crosby IP), logo, Working Load Limit and jaw opening permanently stamped on body.
- Each product is individually serialized, with the serial number and Proof Load test date stamped on body. User manual with test certificate is included with each clamp.
- Maintenance and repair kits are available.



Model IPDV

Model	Working Load Limit (t)*	Stock No.	Weight Each (kg)	Dimensions (mm)					
				Jaw A	B	C	D	E	F
IPDV	0.5	2700118	7.1	300	375	290	100	50	12

\*Design Factor based on EN 13155 and ASME B30.20.

Load Rated

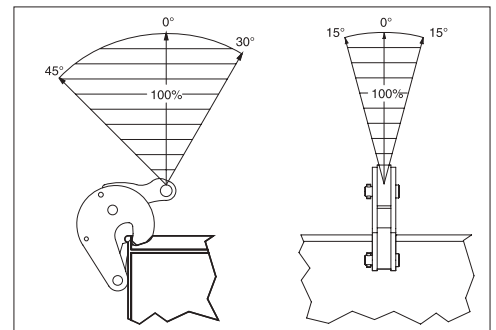
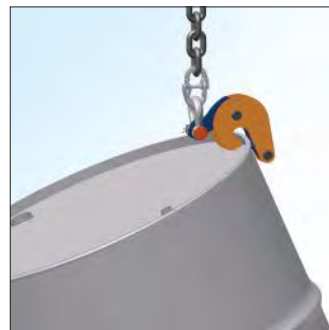
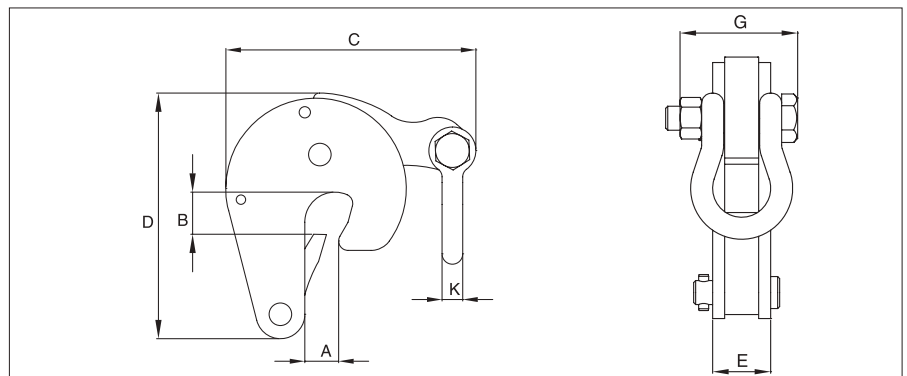
IPVK



Model IPVK

Model	Working Load Limit (t)*	Stock No.	Weight Each (kg)	Dimensions (mm)						
				Jaw A	B	C	D	E	G	K
IPVK	0.5	2700116	1.6	0 - 17	26	135	132	29	51	11

\* Design Factor based on EN 13155 and ASME B30.20.



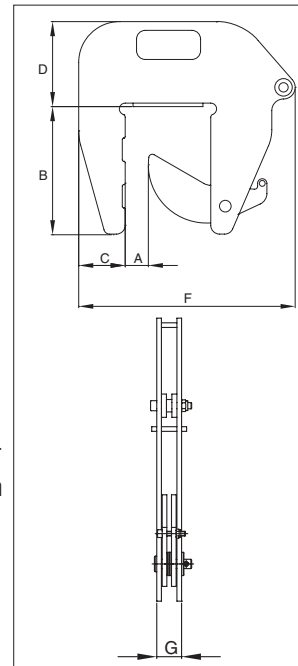


IPCC



**For Lifting and Transferring Concrete Pipe Sections and Wells**

- Available in capacity of 1 metric tons (higher Working Load Limits are available upon request).
- Jaw opening available: 40 - 140mm.
- Welded alloy steel body for strength and smaller size. Forged alloy, components where required.
- Equipped with handle for easy placement.
- Individually Proof Tested to 2 times the Working Load Limit with certification.
- Company name (Crosby IP), logo, Working Load Limit and jaw opening permanently stamped on body.
- Each product is individually serialized, with the serial number and Proof Load test date stamped on body. User manual with test certificate is included with each clamp.
- Maintenance replacement parts are available.

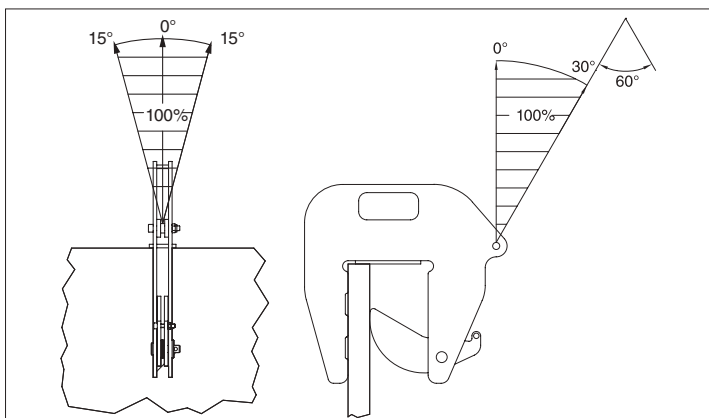


Load Rated

**Model IPCC**

Model	Working Load Limit Per Pair (t)*	Stock No.	Weight Each (kg)	Dimensions (mm)					
				Jaw A	B	C	D	F	G
IPCC	1	2700037	9.2	40-140	225	80	146	372	37

\* Design Factor based on EN 13155 and ASME B30.20.





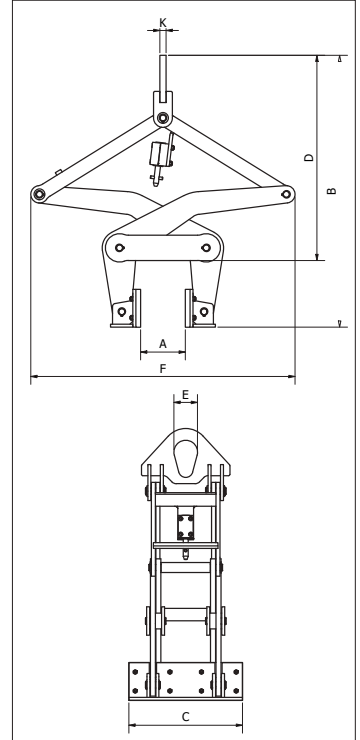
## LIFTING CLAMPS & MAGNETS

IPBG



The CrosbyIP Barrier Grab provides a fast and efficient method for handling road barriers.

- Hands-free operation.
- Welded alloy steel construction for strength and smaller size.
- Comes equipped with polyurethane pads. (Replacement kits are available.)
- Individually Proof Tested to 2 times the Working Load Limit with certification.
- Company name (Crosby IP), logo, Working Load Limit and jaw opening permanently stamped on body.
- Each product is individually serialized, with the serial number and Proof Load test date stamped on body. User manual with test certificate is included with each clamp.



Load Rated

### Barrier Grab

Model	WLL (t)*	Stock No.	Weight Each (kg)	Dimensions (mm)						
				Jaw A	B	C	D	E	F	K
IPBG	4	2704018	156	152 (min.)	1149	457	882	95	1038	25
				305 (max.)	861	457	598	95	1128	25

\* Design factor based on EN13155 and ASME B30.20.